



ZEON 8-S WINCH

Part Number: 89305

Rated Line Pull: 8000 lbs. (3629 kgs)

Motor: 12V DC, Series Wound

Controls: Remote switch, 12' (3.7m) Lead

Gear train: 3-Stage Planetary

Gear Ratio: 162:1

Clutch (Freespool): Rotating Ring Gear

Brake: Automatic Direct Drive Cone

Drum diameter/length: 3.15"/9.3" (8.0 cm/23.6 cm)

Kit Shipping Weight: 79 lbs (35.8 kgs)

Rope: Synthetic Rope, Ø 3/8" x 100' (Ø 9.5mm x 30.5m)

Fairlead: Hawse

Recommended Battery: 650CCA Minimum for winching

Duty Cycle: Intermittent

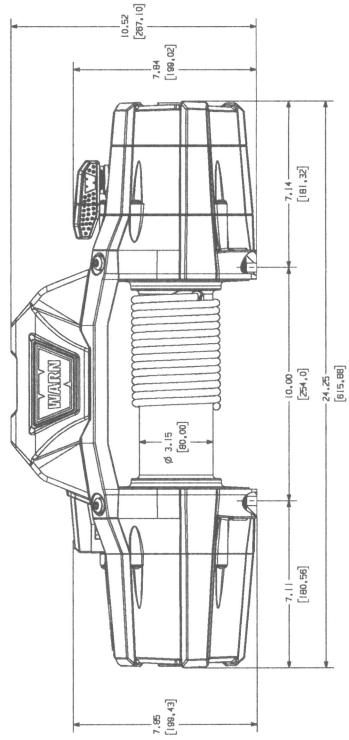
Battery leads: 25mm², 72" (1.83m)

Finish: Black Powder Coat

Warranty: Limited Lifetime

Mounting Bolt Pattern: 10.0" x 4.5" (254mm x 114.3mm)

Winch Dimensions: 24.25 L x 7.14" D x 10.52" H (615.9mm L x 181.6mm D x 267.1mmH)



SERVICE INSTRUCTIONS

Should you encounter a problem during installation or operation of your winch, please follow these steps toward resolving the problem:

1. Refer to your operator's guide and installation instructions. It has illustrations and detailed information on the installation and safe and proper operation of your winch. It also includes a replacement parts list and assembly diagrams. If you are unable to resolve the problem, then go to step 2.
2. Contact your dealer where you purchased your winch. If, after discussing the problem with their parts and service staff, you are still unable to resolve the problem then go to step 3.
3. Call an Authorized WARN Service center from the list provided on the back of the warranty sheet included with the product. When calling, please have the following information available: winch model number and purchase date, make, model and year of vehicle.
4. If you are unable to resolve the problem to your satisfaction, please call Warn Industries Customer Service at: 1-800-543-9276. When calling, please have the following information available: winch model number and purchase date, make, model and year of vehicle. You may also contact Warn Industries by visiting our website: www.warn.com

SERVICE/UPGRADE KITS

KIT	PN#	ITEM	QTY	DESCRIPTION		
KIT 1	89302	8	1	S/P, TRANSMISSION 162, ASSY		
		9	1	ROTATING RING GEAR		
		(2)	1	RETAINING RING		
		(3)	1	S/P, END HOUSING, ASSEMBLY		
		(4)	1	S/P, END CAP		
		10	1	S/P, DRUM SUPPORT, GEARTRAIN		
		11	1	SUN GEAR, 12T		
		21	1	CARRIER ASSY, STAGE 1		
		12	1	DRIVE SHAFT		
		13	1	CARRIER ASSY, STAGE 2		
		14	1	WASHER, THRUST		
		14	1	CARRIER ASSY, STAGE 3		
		15	1	RING GEAR, 75T		
		20	1	DRIVE SPLINE		
		42	1	DRUM DRIVER		
		KIT 2	89237	6	1	S/P, END HOUSING, ASSEMBLY
				5	1	CLUTCH LEVER
7	1			SEAL, O-RING		
7	1			DETENT, M5 SCREW		
8	1			ROTATING RING GEAR		
9	1			RETAINING RING		
2	1			GASKET, END CAP		
6	1			GEARTRAIN GASKET		
3	10			TORX, PAN HEAD, M5-0.8 x 25		

KIT 3 89238

- S/P, END CAP
- END CAP
- GASKET, END CAP
- TORX, PAN HEAD, M5-0.8 x 25

- 1
- 2
- 3
- 5

KIT 4 89239

- S/P, DRUM SUPPORT, GEARTRAIN
- DRUM SUPPORT, GEARTRAIN
- DRUM BUSHING
- DRUM SEAL
- GEARTRAIN GASKET
- TORX, PAN HEAD, M5-0.8 x 25

- 17
- 18
- 19
- 16
- 3
- 5

KIT 5 89240

- S/P, BRAKE ASSY
- BRAKE ASSY
- DRIVE SHAFT
- CASTING, MOTOR COUPLER
- DRUM

- 22
- 21
- 23
- 24
- 1

KIT 6 89241

- S/P, MOTOR 3 TURN
- MOTOR 3 TURN
- DRUM BUSHING, MOTOR
- DRUM SEAL

- 27
- 25
- 19
- 1

KIT 7 89245

- S/P, CONTROL PACK, 25mm2
- S/P, 12VDC CONTACTOR PLATE ASSEMBLY
- S/P, CONTROL PACK COVER ASSEMBLY
- GROUND CABLE 25mm2
- POWER CABLE 25mm2

- 30
- 28
- 26
- 37
- 1

KIT 8 89627

- S/P, BUS BARS
- BUS BARS
- TOP, BUSS BAR COVER
- BASE, BUSS BAR COVER
- TORX, PAN HEAD, M6-1.0 x 25

- 33
- 35
- 34
- 36
- 1

INDIVIDUAL ITEMS

- 13874
- 88690
- 88251
- 88508
- 88543
- 88521
- 88252
- 90281
- 13824
- 90052
- 89242
- 87915
- 87914
- 81400
- 89626
- 89244
- 83665
- 87452
- 88692
- 88371
- 88682
- 83475
- 10
- 11
- 11
- 12
- 13
- 14
- 15
- 20
- 42
- 41
- 32
- 38
- 39
- 29
- 30
- 28
- 40
- 26
- 37
- 3
- 26
- 31
- CARRIER ASSY, STAGE 1
- DRIVE SHAFT
- CARRIER ASSY, STAGE 2
- WASHER, THRUST
- CARRIER ASSY, STAGE 3
- RING GEAR, 75T
- DRIVE SPLINE
- DRUM DRIVER
- ANCHOR PUCK
- S/P, TIE PLATE
- S/P, SYNTHETIC ROPE ASSY, 3/8x100'
- S/P, FAIRLEAD, HAWSE
- S/P, 12VDC CONTACTOR
- S/P, 12VDC CONTACTOR PLATE ASSEMBLY
- S/P, CONTROL PACK COVER ASSEMBLY
- S/P, REMOTE CONTROL
- GROUND CABLE 25mm2
- POWER CABLE 25mm2
- TORX, PAN HEAD, M5-0.8 x 25
- TORX, PAN HEAD, M6-1.0 x 25
- TORX, PAN HEAD, M8-1.25 x 25

