



ZEON-10 WINCH

Part Number: 88990

Rated Line Pull: 10,000 lbs. (4536 kgs)

Motor: 12V DC, Series Wound

Controls: Remote switch, 12' (3.7m) Lead

Gear train: 3-Stage Planetary

Gear Ratio: 216:1

Clutch (Freespool): Rotating Ring Gear

Brake: Automatic Direct Drive Cone

Drum diameter/length: 3.15"/9.3" (8.0cm/23.6cm)

Kit Shipping Weight: 103 lbs (46.7 kgs)

Rope: Wire rope, Ø 3/8" x 80' (Ø 9.5mm x 24.4m)

Fairlead: Roller

Recommended Battery: 650CCA Minimum for winching

Duty Cycle: Intermittent

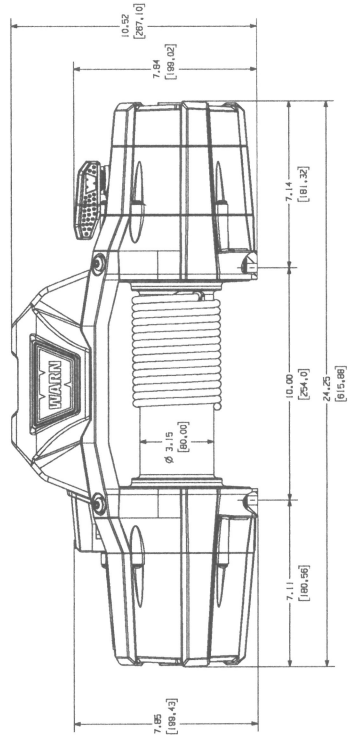
Battery leads: 2 GA, 72" (1.83m)

Finish: Black Powder Coat

Warranty: Limited Lifetime

Mounting Bolt Pattern: 10.0" x 4.5" (254mm x 114.3mm)

Winch Dimensions: 24.25 L x 7.14" D x 10.52" H (615.9mm L x 181.6mm D x 267.1mmH)



SERVICE INSTRUCTIONS

Should you encounter a problem during installation or operation of your winch, please follow these steps toward resolving the problem:

1. Refer to your operator's guide and installation instructions. It has illustrations and detailed information on the installation and safe and proper operation of your winch. It also includes a replacement parts list and assembly diagrams. If you are unable to resolve the problem, then go to step 2.
2. Contact your dealer where you purchased your winch. If, after discussing the problem with their parts and service staff, you are still unable to resolve the problem then go to step 3.
3. Call an Authorized WARN Service center from the list provided on the back of the warranty sheet included with the product. When calling, please have the following information available: winch model number and purchase date, make, model and year of vehicle.
4. If you are unable to resolve the problem to your satisfaction, please call Warn Industries Customer Service at: 1-800-543-9276. When calling, please have the following information available: winch model number and purchase date, make, model and year of vehicle. You may also contact Warn Industries by visiting our website: www.warn.com

SERVICE/UPGRADE KITS

KIT	PN#	ITEM	QTY	DESCRIPTION
KIT 1	89304	8	1	S/P, TRANSMISSION 216, ASSY
		9	1	ROTATING RING GEAR
		(2)	1	RETAINING RING
		(3)	1	S/P, END HOUSING, ASSEMBLY
		(4)	1	S/P, END CAP
		10	1	S/P, DRUM SUPPORT, GEARTRAIN
		11	1	SUN GEAR, 12T
		21	1	CARRIER ASSY, STAGE 1
		12	1	DRIVE SHAFT
		13	1	CARRIER ASSY, STAGE 2
		14	1	WASHER, THRUST
		15	1	CARRIER ASSY, STAGE 3
		20	1	RING GEAR, 75T
		42	1	DRIVE SPLINE
		42	1	DRUM DRIVER
		KIT 2	89237	6
5	1			CLUTCH LEVER
7	1			SEAL, O-RING
8	1			DETENT, M5 SCREW
9	1			ROTATING RING GEAR
2	1			RETAINING RING
6	1			GASKET, END CAP
3	1			GEARTRAIN GASKET
3	10			TORX, PAN HEAD, M5-0.8 x 25

KIT 3	89238	1	S/P, END CAP
		1	END CAP
		2	GASKET, END CAP
		3	TORX, PAN HEAD, M5-0.8 x 25
KIT 4	89239	17	S/P, DRUM SUPPORT, GEARTRAIN
		18	DRUM SUPPORT, GEARTRAIN
		19	DRUM BUSHING
		16	DRUM SEAL
		3	GEARTRAIN GASKET
		5	TORX, PAN HEAD, M5-0.8 x 25
KIT 5	89240	22	S/P, BRAKE ASSY
		21	BRAKE ASSY
		23	DRIVE SHAFT
		24	CASTING, MOTOR COUPLER
		1	DRUM
KIT 6	89932	27	S/P, MOTOR 3 TURN
		25	MOTOR 3 TURN
		19	DRUM BUSHING, MOTOR
		1	DRUM SEAL
KIT 7	89211	30	S/P, CONTROL PACK
		28	S/P 12VDC CONTACTOR PLATE ASSEMBLY
		26	S/P CONTROL PACK COVER ASSEMBLY
		1	GROUND CABLE 2GA
		37	POWER CABLE 2GA
KIT 8	89627	33	S/P BUS BARS
		1	BUS BARS
		35	TOP, BUSS BAR COVER
		34	BASE, BUSS BAR COVER
		36	TORX, PAN HEAD, M6-1.0 x 25
INDIVIDUAL ITEMS		10	SUN GEAR, 12T
	13874	11	CARRIER ASSY, STAGE 1
	88636	21	DRIVE SHAFT
	88251	12	CARRIER ASSY, STAGE 2
	88606	13	WASHER, THRUST
	88543	14	CARRIER ASSY, STAGE 3
	88521	15	RING GEAR, 75T
	88252	20	DRIVE SPLINE
	90281	42	DRUM DRIVER
	13824	41	ANCHOR PUCK
	90053	32	S/P, TIE PLATE
	89242	38	S/P, WIRE ROPE, 3/8x80'
	89213	39	S/P, FAIRLEAD, ROLLER
	89214	29	S/P 12VDC CONTACTOR
	81400	30	S/P 12VDC CONTACTOR PLATE ASSEMBLY
	89626	28	S/P CONTROL PACK COVER ASSEMBLY
	89244	40	S/P REMOTE CONTROL
	83665	26	GROUND CABLE 2GA
	15901	37	POWER CABLE 2GA
	83350	3	TORX, PAN HEAD, M5-0.8 x 25
	88371	26	TORX, PAN HEAD, M6-1.0 x 25
	88682	31	TORX, PAN HEAD, M8-1.25 x 25
	83475	4	TORX, PAN HEAD, M8-1.25 x 25

