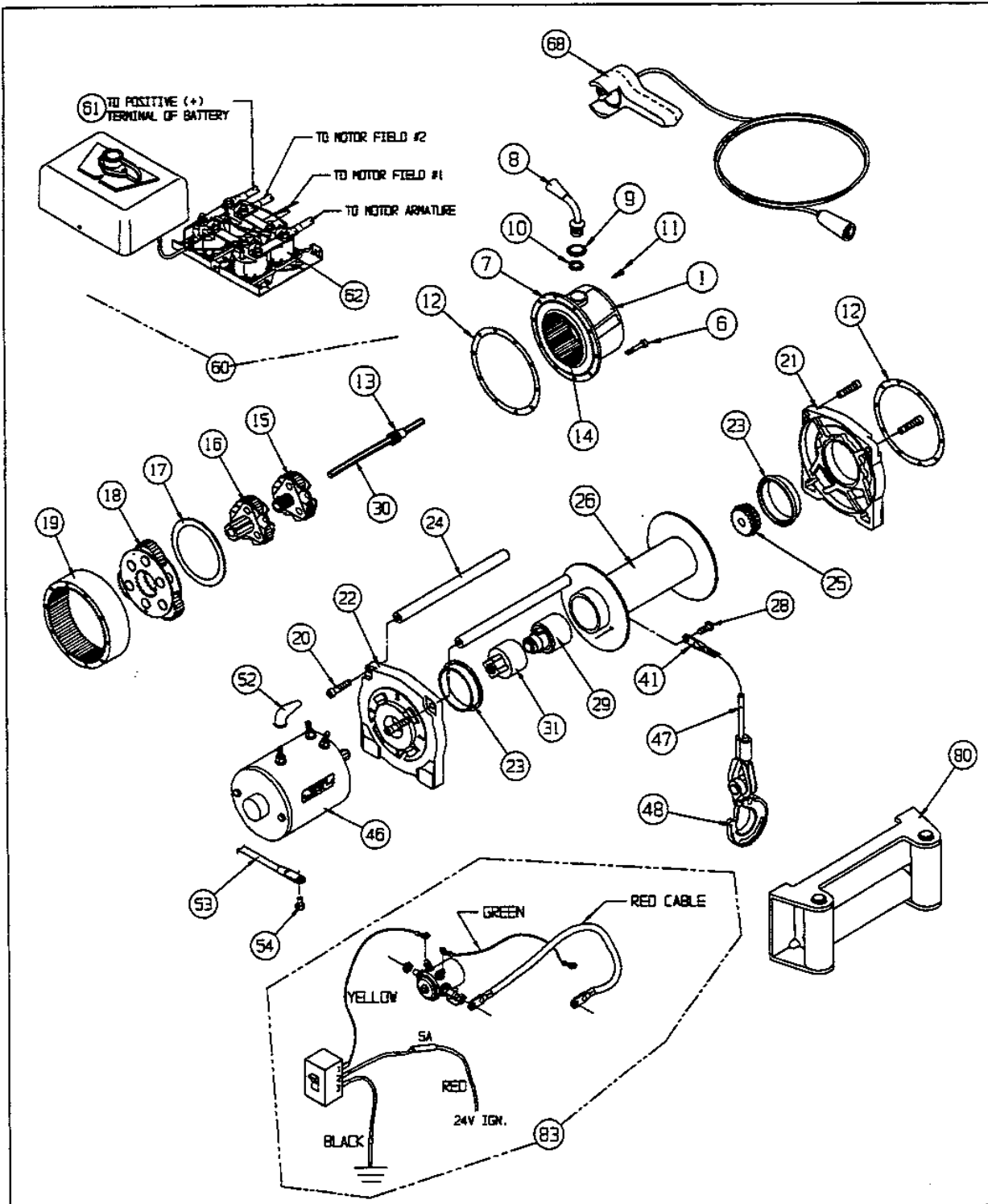


CE M8000 (24V)

SERIAL NO. 634544 AND UP



**WARN CE M8000 WINCH
REPLACEMENT PARTS LIST**

(P/N 265032)

SERIAL NO. 634544 AND UP

ORDERING INFORMATION:

When ordering please give Warn Model, Serial Number & Battery voltage.

Parts may be obtained through your local dealer or distributor.

ITEM	QTY	PART NO.	DESCRIPTION
1	1	38304	LABEL, KIT, CE M8000
2	1		LABEL, CE
3	1		LABEL, DRUM ROTATION
4	1		WARNING, HOT
5	1		LABEL, NAMEPLATE
6	10	13850	SOCKET HEAD CAPSCREW, 10-24 x 2 1/2
7	1	37131	END HOUSING, ASSY
8	1		CLUTCH LEVER
9	1		RETAINER, SEAL
10	1		SEAL, O-RING
11	1		CLUTCH LEVER DETENT SCREW
12	2	13848	GASKET
13	1	13874	SUN GEAR
14	1	13839	RING GEAR, SLIDING
15	1	28430	CARRIER ASSEMBLY, STAGE 1
16	1	28431	CARRIER ASSEMBLY, STAGE 2
17	1	13826	THRUST BEARING
18	1	28432	CARRIER ASSEMBLY, STAGE 3
19	1	25308	RING GEAR
20	4	60451	SOCKET HEAD CAPSCREW, 5/16-18 x1-1/4, SELF TAPPING
21	1	25986	DRUM SUPPORT, GEAR TRAIN
22	1	25985	DRUM SUPPORT, MOTOR
23	2	13831	DRUM BUSHING
24	2	32408	TIE ROD
25	1	14584	DRIVE SPLINED W/RETAINING RING
26	1	26107	DRUM ASSEMBLY
28	1	13699	BUTTON HEAD CAPSCREW
29	1	32455	BRAKE ASSEMBLY
30	1		HEX SHAFT, 10.1
31	1		MOTOR COUPLER
41	1	16436	WIRE ROPE TERMINAL KIT
46	1	34526	MOTOR, 24 VDC
47	1	38314	WIRE ROPE ASSEMBLY, 5/16" x 100'
48	1	32423	(Includes item 41) CLEVIS HOOK, 7/16 SAFETY

**WARN CE M8000 WINCH
REPLACEMENT PARTS LIST**

ORDERING INFORMATION:

When ordering please give Warn Model, Serial Number & Battery voltage.

Parts may be obtained through your local dealer or distributor.

ITEM	QTY	PART NO.	DESCRIPTION
52	3	2090	BOOT, ELECTRICAL TERMINAL
53	1	15901	CABLE ASSY, ELEC, 2 GA x 72" (BLACK)
54	1	26744	HEX HEAD CAPSCREW, M8 x 1.25 x 12MM
60	1	21143	WINCH CONTROL, 24 V
61	1	33295	CABLE ASSY, ELEC, 2GA x 72" RED
62	4	28396	SOLENOID, UPRIGHT TERMINAL
68	1	38626	REMOTE CONTROL ASSY
80	1	5742	ROLLER, FAIRLEAD
83	1	39082	POWER INTERRUPT KIT

P/N 38295 REV B0