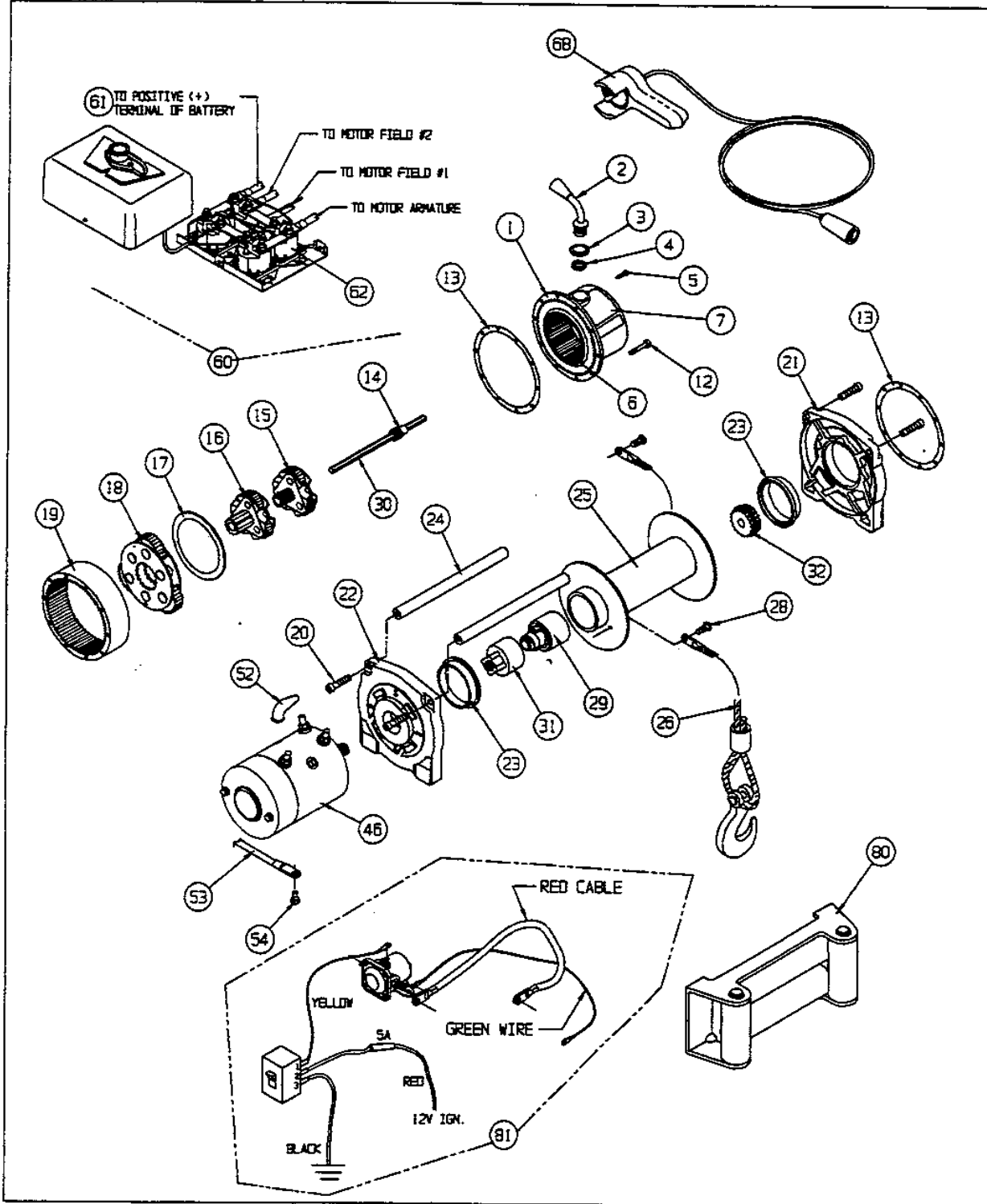


# CE M8000

SERIAL NO. 490000 UP TO 625246



WARN CE M8000 WINCH REPLACEMENT PARTS LIST			
(P/N 265022)			
SERIAL NO. 490000 UP TO 625246			
ORDERING INFORMATION:			
When ordering please give Warn Model, Serial Number & Battery voltage.			
Parts may be obtained through your local dealer or distributor.			
ITEM	QTY	PART NO.	DESCRIPTION
1	1	37131	END HOUSING, ASSY
2	1		CLUTCH LEVER
3	1		RETAINER, SEAL
4	1		SEAL, O-RING
5	1		CLUTCH LEVER DETENT SCREW
6	1		RING GEAR, SLIDING
7	1	38304	LABEL, KIT, CE M8000
8	1		LABEL, CE
9	1		LABEL DRUM ROTATION
10	1		WARNING, HOT
11	1		LABEL, NAMEPLATE
12	10	13850	SOCKET HEAD CAPSCREW, 10-24 x 2 1/2
13	2	13848	GASKET
14	1	13874	SUN GEAR
15	1	28430	CARRIER ASSEMBLY, STAGE 1
16	1	28431	CARRIER ASSEMBLY, STAGE 2
17	1	13826	THRUST BEARING
18	1	28432	CARRIER ASSEMBLY, STAGE 3
19	1	25308	RING GEAR
20	4	2526	SOCKET HEAD CAPSCREW, 5/16-18x1-1/4
21	1	25986	DRUM SUPPORT, GEAR TRAIN
22	1	25985	DRUM SUPPORT, MOTOR
23	2	13831	DRUM BUSHING
24	2	32408	TIE ROD
25	1	26107	DRUM ASSEMBLY
26	1	38314	WIRE ROPE ASSY, 5/16x100' W/THIMBLE
28	1	13699	BUTTON HEAD CAPSCREW
29	1	32455	BRAKE ASSEMBLY
30	1		HEX SHAFT, 10.1
31	1		MOTOR COUPLER
32	1		DRIVE SPLINED W/RETAINING RING
46	1	25982	MOTOR, 12 VDC

WARN CE M8000 WINCH REPLACEMENT PARTS LIST			
ORDERING INFORMATION:			
When ordering please give Warn Model, Serial Number & Battery voltage.			
Parts may be obtained through your local dealer or distributor.			
ITEM	QTY	PART NO.	DESCRIPTION
52	3	2090	BOOT, ELECTRICAL TERMINAL
53	1	15901	CABLE ASSEMBLY, ELECTRICAL, 2 GA x 72" (BLACK)
54	1	26744	HEX HEAD CAPSCREW, M8 x 1.25 x 12MM
60	1	16557	WINCH CONTROL, 12V
61	1	33295	CABLE ASSEMBLY, ELEC, 2GA x 72" RED
62	4	28396	SOLENOID, UPRIGHT TERMINAL
68	1	21710	REMOTE CONTROL ASSY.
80	1	5742	ROLLER, FAIRLEAD
81	1	32959	POWER INTERRUPT KIT

P/N 36621 REV A0