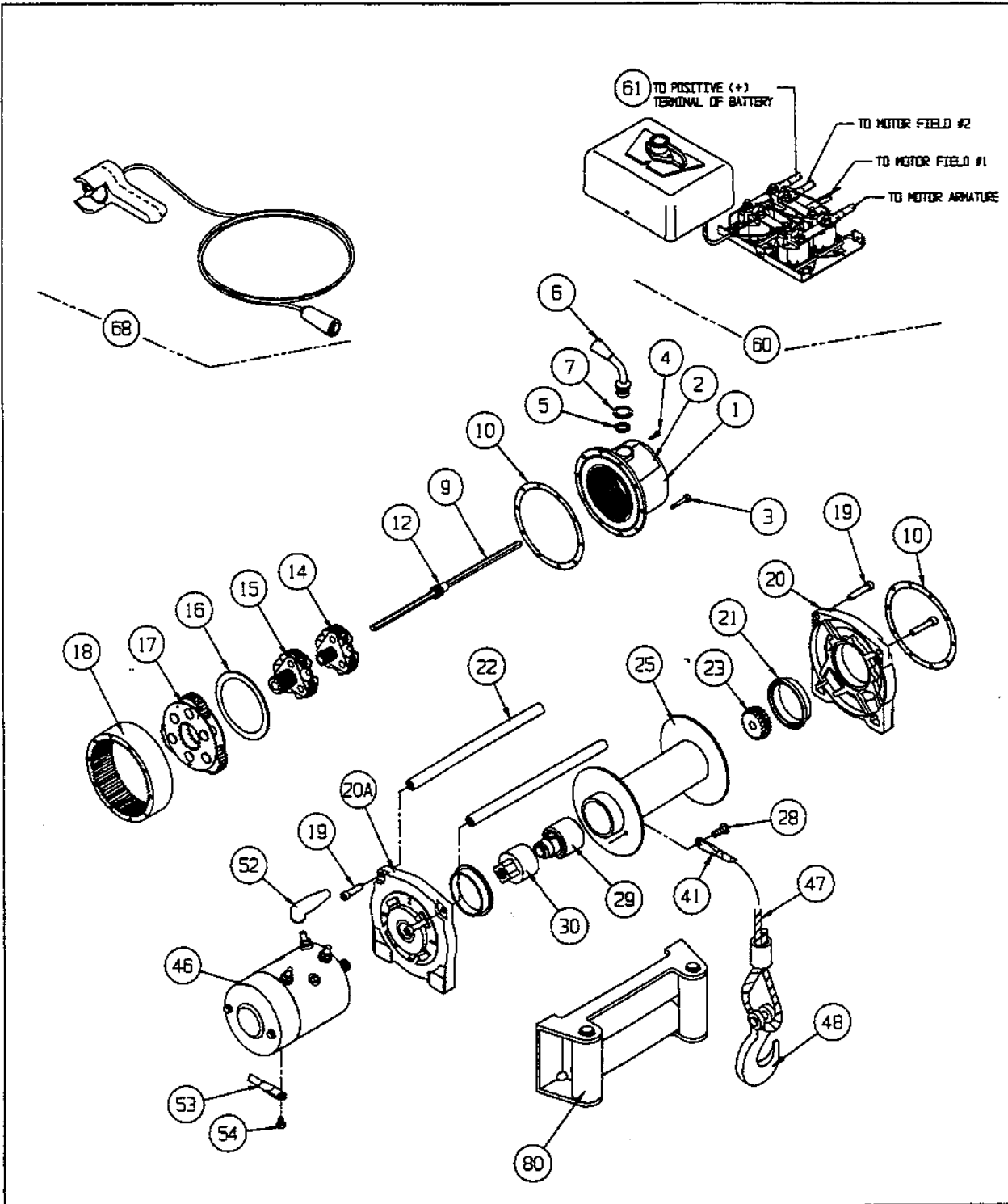


M8000

SERIAL NO. 348579 UP TO 623710



WARN M8000 WINCH REPLACEMENT PARTS LIST			
SERIAL NO. 348579 UP TO 623710 (P/N 26502)			
ORDERING INFORMATION: When ordering please give Warn Model, Serial Number & Battery voltage. Parts may be obtained through your local dealer or distributor.			
ITEM	QTY	PART NO.	DESCRIPTION
1	1	27337	END HOUSING, ASSY,
2	1	26690	DECAL
3	10	13850	SOCKET HEAD CAPSCREW, 10-24 x 2 1/2
4	1	13872	DETENT SCREW
5	1	21010	O-RING SEAL
6	1	21012	CLUTCH LEVER
7	1	21008	RETAINER, SEAL
9	1	27372	HEX SHAFT, 10.10
10	2	13848	GASKET
12	1	13874	SUN GEAR
14	1	28430	CARRIER ASSEMBLY, STAGE 1
15	1	28431	CARRIER ASSEMBLY, STAGE 2
16	1	13826	THRUST BEARING
17	1	28432	CARRIER ASSEMBLY, STAGE 3
18	1	25308	RING GEAR
19	4	28683	FLANGE HEAD, CAPSCREW 5/16-18x1-1/4
20	1	25986	DRUM SUPPORT, GEAR TRAIN
20A	1	25985	DRUM SUPPORT, MOTOR
21	2	13831	DRUM BUSHING
22	2	32408	TIE ROD
23	1	14584	DRIVE SPLINED W/RETAINING RING
25	1	26107	DRUM ASSEMBLY
28	1	13699	BUTTON HEAD CAPSCREW
29	1	32455	BRAKE ASSEMBLY
30	1	26006	MOTOR COUPLER
41	1	16436	WIRE ROPE TERMINAL KIT
46	1	25982	MOTOR, 12 VDC
47	1	27110	WIRE ROPE ASSY, 5/16"x100' (Includes Item 41)

WARN M8000 WINCH REPLACEMENT PARTS LIST			
ORDERING INFORMATION: When ordering please give Warn Model, Serial Number & Battery voltage. Parts may be obtained through your local dealer or distributor.			
ITEM	QTY	PART NO.	DESCRIPTION
48	1	5320	CLEVIS HOOK, 3/8 SLIP
52	3	2090	BOOT, ELECTRICAL TERMINAL
53	1	15901	CABLE ASSY, ELECTRIC, 2GAX72"(BLACK)
54	1	34402	HEX HEAD CAPSCREW, M8x2.25X20mm
59	4	28396	SOLENOID, TERMINAL UPRIGHT
60	1	38842	WINCH CONTROL, 12 VDC
61	1	21143	CABLE ASSY, ELECTRIC, 2GAX72"
68	1	38626	REMOTE CONTROL ASSEMBLY
80	1	5742	FAIRLEAD, ROLLER
P/N 27339 REV E0			