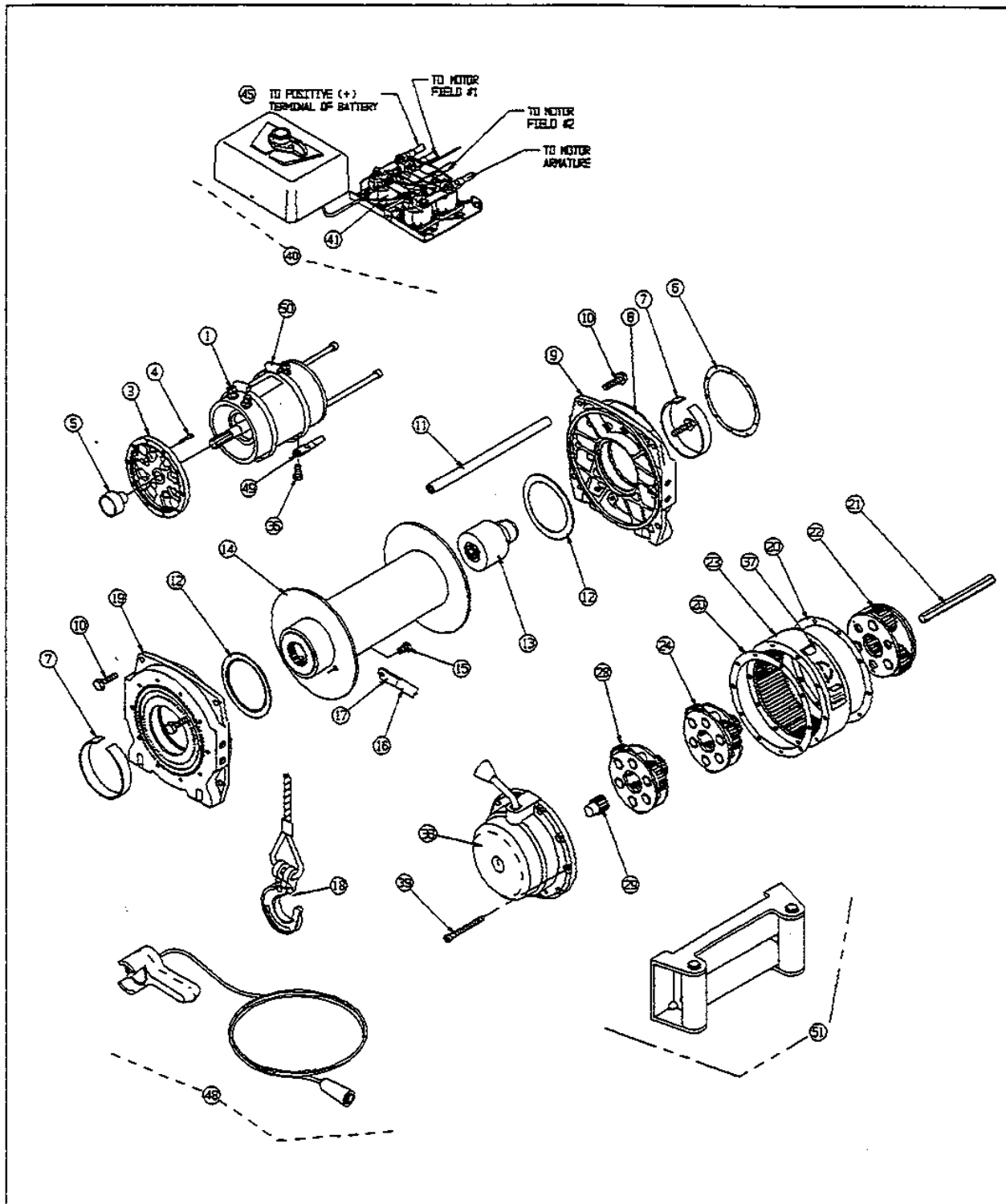


M12000

SERIAL NO. 78561 THROUGH 80278



WARN M12000 WINCH REPLACEMENT PARTS LIST			
SERIAL NO. 78561 THROUGH 80278			
ORDERING INFORMATION: When ordering please give Warn Model, Serial Number & Battery voltage. Part may be obtained through your local dealer or Distributor.			
ITEM	QTY	PART NO	DESCRIPTION
1	1	26629	MOTOR, 12 VDC (Include items 3 & 6)
1	1	26651	MOTOR, 24 VDC (Include items 3 & 6)
3	1	25790	MOTOR ADAPTER
4	10	5553	CAPSCREW #10-24 x 3/4"
5	1	60730	MOTOR COUPLER
6	1	13848	GASKET
7	2	16336	DRUM BUSHING NYLON
8	1	13698	LABEL DRUM ROTATION
9	1	33223	DRUM SUPPORT, MOTOR END and GEAR TRAIN END (Includes item: 7,8,10,11,&19)
10	6	28683	FLANGE HEAD CAPSCREW, 5/16 x 1-1/4
11	3	32408	TIE ROD
12	2	13826	THRUST WASHER, NYLON
13	1	32456	BRAKE ASSEMBLY
14	1	15466	DRUM ASSEMBLY
15	1	16064	CAPSCREW, 5/16-18 x 3/8"
16	1	15712	WIRE ROPE ASSY, 3/8" x 125'
17	1	16464	TERMINAL KIT 3/8" WIRE ROPE
18	1	15789	CLEVIS HOOK
19	1	See Item 9	DRUM SUPPORT, GEAR TRAIN END
20	2	14964	GASKET
21	1	28404	DRIVE SHAFT, 12.15 x .312"
22	1	30335	CARRIER ASSEMBLY, STAGE 3
23	1	25546	RING GEAR, OUTPUT STAGE
24	1	15645	CARRIER ASSEMBLY, STAGE 2
28	1	15643	CARRIER ASSEMBLY, STAGE 1
29	1	32437	SUN GEAR, 12 TOOTH

WARN M12000 WINCH REPLACEMENT PARTS LIST			
SERIAL NO. 78561 THROUGH 80278			
ORDERING INFORMATION: When ordering please give Warn Model, Serial Number & Battery voltage. Part may be obtained through your local dealer or distributor.			
ITEM	QTY	PART NO	DESCRIPTION
36	1	34402	CAPSCREW, M8X1.25X20mm
37	1	26630	LABEL NAMEPLATE, M12000
38	1	35241	GEAR HOUSING
39	10	15603	CAPSCREWS, 1/4-20X3"
40	1	38844	CONTROL PACK, 12V
	1	38846	CONTROL PACK, 24V
41	4	28396	SOLENOID, TERMINAL UPRIGHT
45	1	33295	CABLE ASSEMBLY, 72" RED
48	1	38626	REMOTE CONTROL ASSEMBLY 12"
49	1	15901	CABLE ASSEMBLY, 72" BLACK
50	2	6005	CLAMP
51	1	5742	ROLLER FAIRLEAD ASSEMBLY
P/N 33221 REV A0			