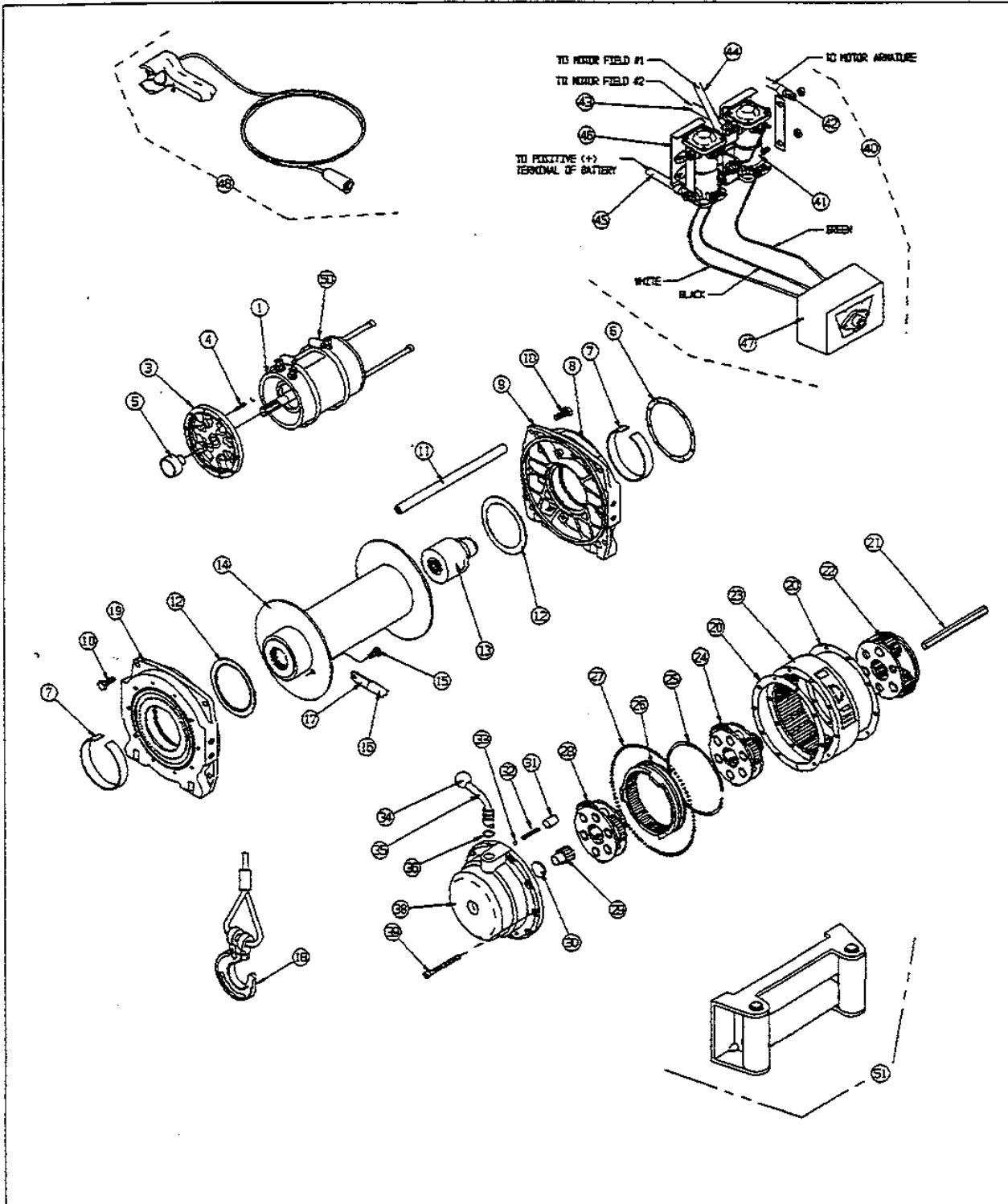


M12000

SERIAL NO. 64244 UP TO 72929



WARN M12000 WINCH REPLACEMENT PARTS LIST			
SERIAL NO. 64244 THROUGH 72929			
ORDERING INFORMATION: When ordering please give Warn Model, Serial Number & Battery voltage. Part may be obtained through your local dealer or distributor.			
ITEM	QTY	PART NO	DESCRIPTION
1	1	26629	MOTOR, 12 VDC (Include items 3 & 6)
1	1	26651	MOTOR, 24 VDC (Include items 3 & 6)
	1	19485	BRUSH SET
3	1	25790	MOTOR ADAPTER
4	10	5553	SOCKET HEAD CAPSCREW, 10-24 X .75
5	1	60730	MOTOR COUPLER
6	1	13848	GASKET
7	2	16336	DRUM BUSHING NYLON
8	1	13698	DRUM ROTATION LABEL
9	1	33223	DRUM SUPPORT, MOTOR END and GEAR TRAIN END)
			(Includes item: 7,8,10,11,&19)
10	6	1827	HEX HEAD CAPSCREW 3/8-16 X 1"
11	3	18546	TIE ROD
12	2	13826	NYLON THRUST BEARING
13	1	28406	BRAKE ASSEMBLY
14	1	15466	DRUM ASSEMBLY
15	1	16064	BUTTON HEAD CAPSCREW, 5/16-18 X .38
16	1	15712	WIRE ROPE ASSEMBLY, 3/8" X 125'
17	1	16464	TERMINAL KIT, 3/8"
18	1	15789	3/8" CLEVIS HOOK
19	1	See item 9	DRUM SUPPORT, GEAR TRAIN END
20	2	14964	GASKET
21	1	27376	DRIVE SHAFT, 11.95" W/RING
22	1	30335	CARRIER ASSEMBLY, OUTPUT STAGE
23	1	25546	RING GEAR, OUTPUT STAGE
24	1	15645	CARRIER ASSEMBLY, STAGE 2
25	2	15581	RETAINING RING
26	1	14916	RING GEAR, CLUTCH, STAGE 2
27	85	1415	STEEL BALL, 3/16" DIA.
28	1	15643	CARRIER ASSEMBLY, STAGE 1
29	1	24832	SUN GEAR, 12T
30	1	21009	THRUST PLATE, SUN GEAR
31	1	15686	DETENT SPACER

WARN M12000 WINCH REPLACEMENT PARTS LIST			
SERIAL NO. 64244 THROUGH 72929			
ORDERING INFORMATION: When ordering please give Winch Model, Serial number & Battery voltage. Parts may be obtained through your local dealer or distributor.			
ITEM	QTY	PART NO.	DESCRIPTION
32	1	1833	COMPRESSION SPRING
33	1	1834	STEEL BALL, 1/4" DIA.
34	1	15604	KNOB
35	1	16479	CLUTCH LEVER (Includes items 34&36)
36	1	15605	O-RING SEAL
37	1	26630	LABELNAMEPLATE, M12000
38	1	35241	GEAR HOUSING
39	10	15603	SOCKETHEAD CAPSCREW, 1/4-20 X 3"
40	1	38844	CONTROL PACK, 12V
	1	38846	CONTROL PACK, 24V
41	4	2040	SOLENOID SWITCH, 12V
	2	2040	SOLENOID SWITCH (UNVENTED) 24V
	2	6341	SOLENOID SWITCH, (VENTED) 24V
42	1	15803	CABLE, 10.5" RED
43	1	6008	CABLE, 6.8" BLACK
44	1	6007	CABLE, 5.5" BLACK
45	1	33295	CABLE ASSEMBLY, 72" RED
NS	1	15901	CABLE ASSEMBLY, 72" BLACK
46	1	6347	SOLENOID MOUNTING
47	1	28461	SOLENOID HOUSING
	1	16296	3-PIN PLUG
48	1	38626	REMOTE CONTROL ASSEMBLY, 12'
50	2	6005	CLAMP
51	1	5742	FAIRLEAD, ROLLER

P/N 28419 REV B0

APR 01 2001